

INDUCTION MOTOR

40W

□80mm

LEAD WIRE TYPE

K8I□40F□



SPECIFICATIONS

40W continuous rating, four poles

Model		Out Put (W)	Voltage (V)	Frequency (Hz)	Current (A)	Start T. (N*m/Kgf*cm)	Rated T. (N*m/Kgf*cm)	Speed (rpm)	Condenser (μF)
K8I□40FC	single-phase	40	220	50	0.45	0.23	0.315	1250	2.5
				60	0.43	2.30	3.15		
			230	50	0.50	0.23	0.255	1500	
				60	0.45	2.30	2.55		
				50	0.50	0.27	0.315	1250	
				60	0.45	2.70	3.15		
K8I□40FH	three-phase	40	220	50	0.48	0.97	0.294	1300	-
				60	0.35	9.70	2.90		
			230	50	0.50	0.71	0.245	1600	
				60	0.37	7.10	2.45		
				50	0.50	1.01	0.300	1300	
				60	0.37	10.1	3.00		
K8I□40FM		380	50	0.26	0.76	0.300	1300	-	
				0.20	7.60	3.00			
			60	0.26	0.66	0.245	1600		
				0.20	6.60	2.45			

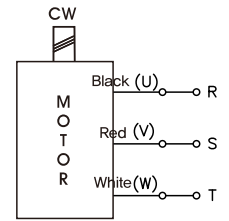
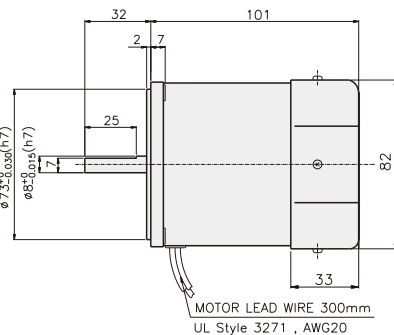
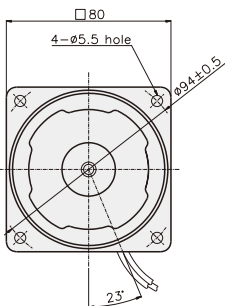
* □ : SHAFT SHAPE (S : STRAIGHT, G : PINION)

* 3 phase motor for over 380 voltage can't be used with inverter. Motor winding insulation can be damaged.

DIMENSIONS & CONNECTION DIAGRAMS

single phase motor

three phase motor



connecting two leadwires of U,V,W in turns ※The direction of motor rotation is as viewed from the front shaft end of the motor

GEARHEAD

DIMENSIONS

K8G□B(C)

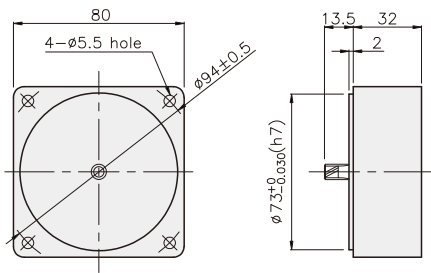


K8IG40F□ + K8G□B(C)



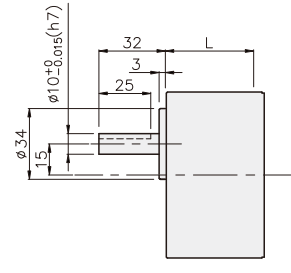
DECIMAL GEARHEAD

K8G10BX



GEARHEAD

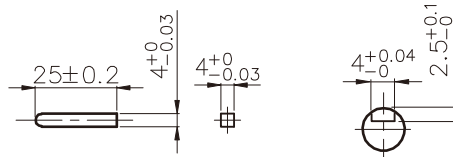
K8G□B(C)



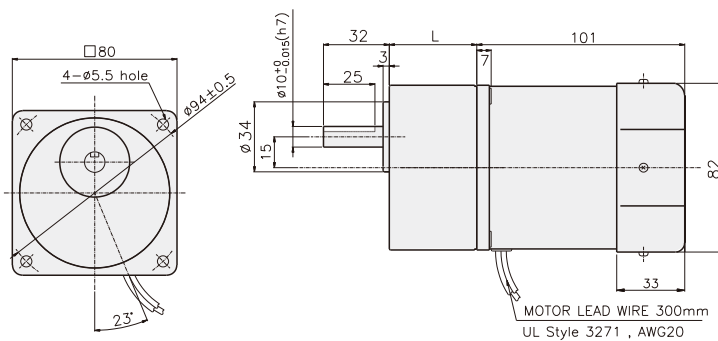
KEY SPEC

• KEY

• KEY GROOVE



K8IP40F□ + K8G□B(C)



DIMENSION TABLE

PART No	L	Application Model	Mounting BOLT
01	32	K8G3~18B(C,M)	M5 P0.8 X 50
02	42.5	K8G20~250B(C,M)	M5 P0.8 X 65

WEIGHT

PART	WEIGHT(kg)	
MOTOR	1.70	
DECIMAL GEARHEAD	0.46	
GEAR HEAD	K8G3~18B(C)	0.51
	K8G20~40B(C)	0.64
	K8G50~250B(C)	0.70