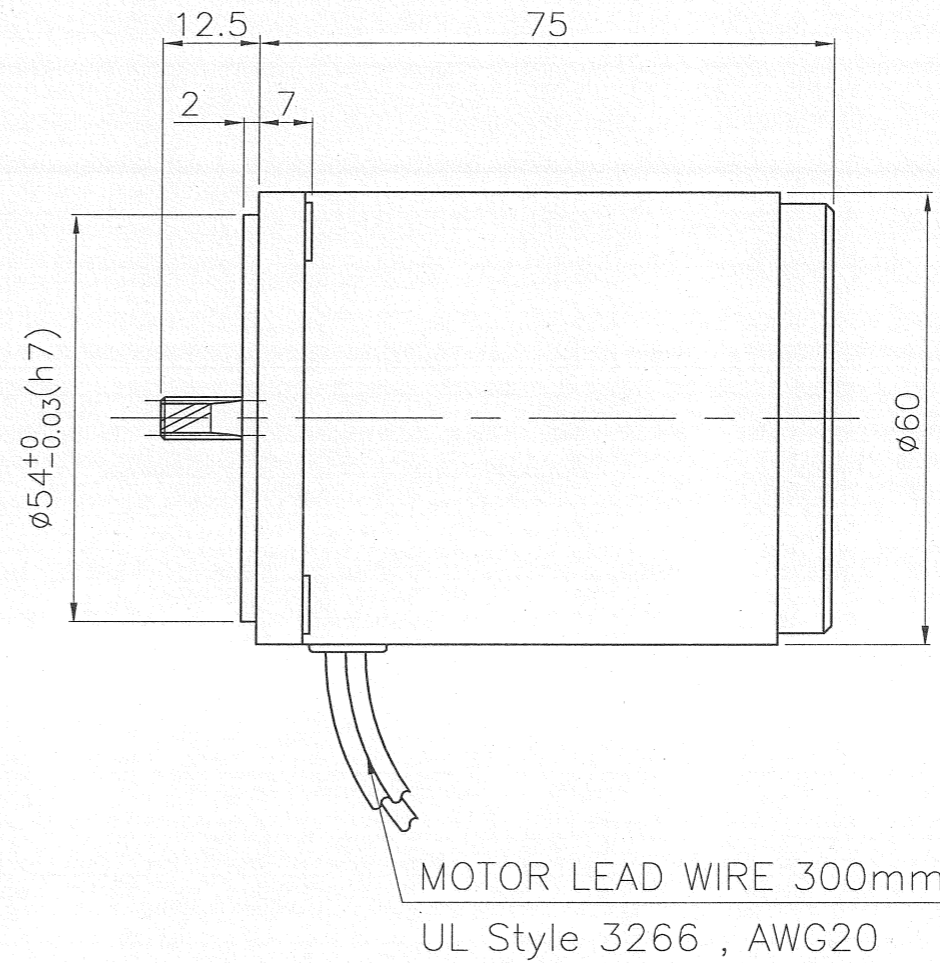
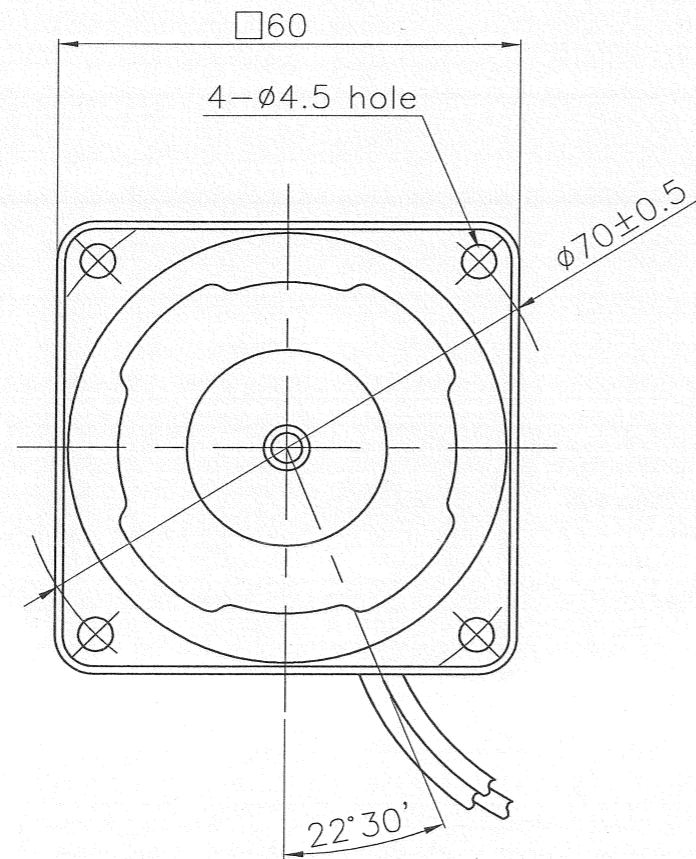
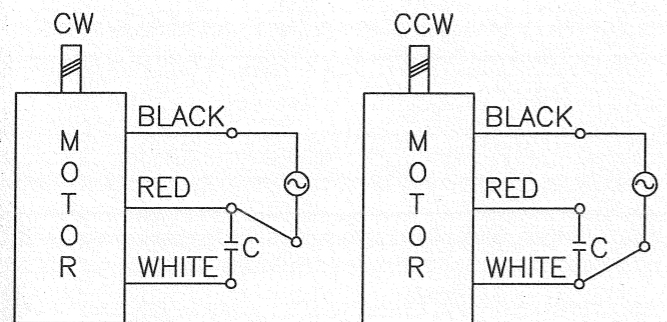


No.	REMARK	REVISION No.	SIGN



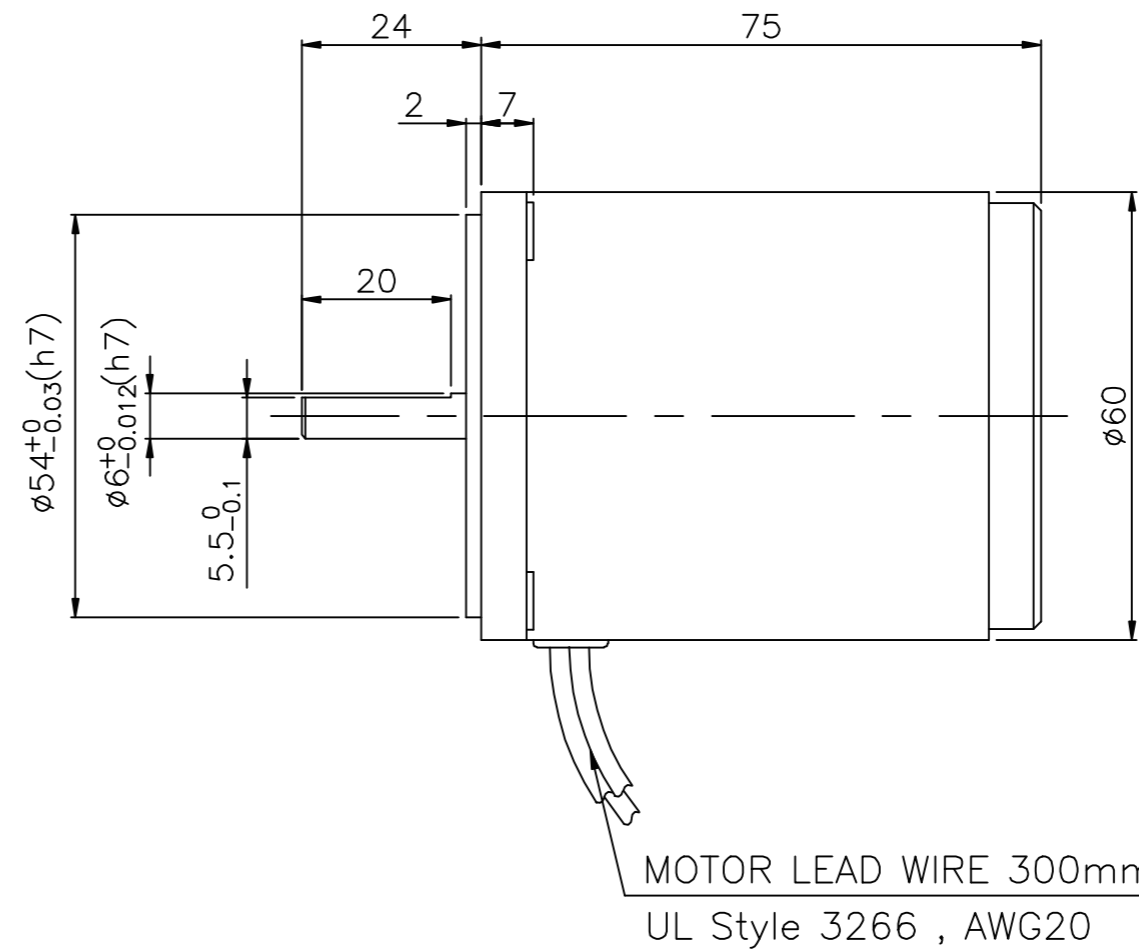
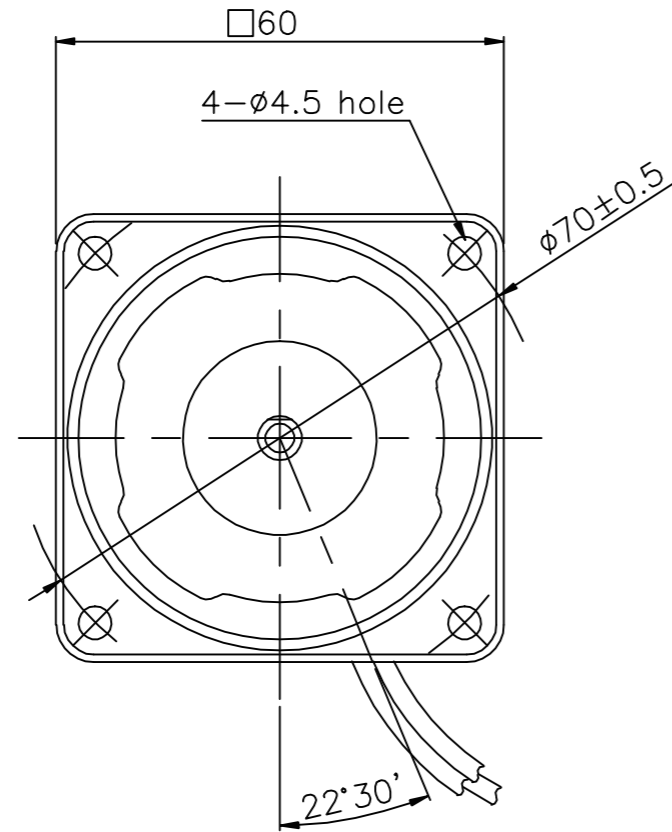
■ CONNECTION DIAGRAMS



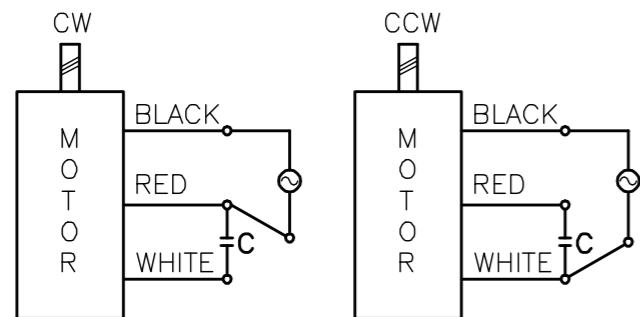
- * CW=Clock Wise, CCW=Counter Clock Wise
- * The Direction of motor rotation is as viewed from the front shaft end of the motor.
- * C = Capacitor = Condenser

DRAW	12. 11. 7	SCALE : 1/1	PART NAME	OUTLINE
DESIGNED		UNIT : mm		
CHECKED			APPLICATION MODEL	K6□G6N□
APPROVED			DWG NO.	2-0L-00003
GGM GLOBAL GEARED MOTOR		RELATION DWG.		

기호	변경 사항	변경서 NO.	날 짜	CHECKED
△				
△				
△				



■ CONNECTION DIAGRAMS



- * CW=Clock Wise, CCW=Counter Clock Wise
- * The Direction of motor rotation is as viewed from the front shaft end of the motor.
- * C = Capacitor = Condenser

DRAW	12.11.07	최주안	SCALE : 1/1	PART NAME	OUTLINE
DESIGNED	17.03.17	김대연	UNIT : mm	APPLICATION MODEL	K6□ S6N□ , K6□ S10N□
CHECKED				DWG NO.	2-OL-00004
APPROVED				RELATION DWG.	