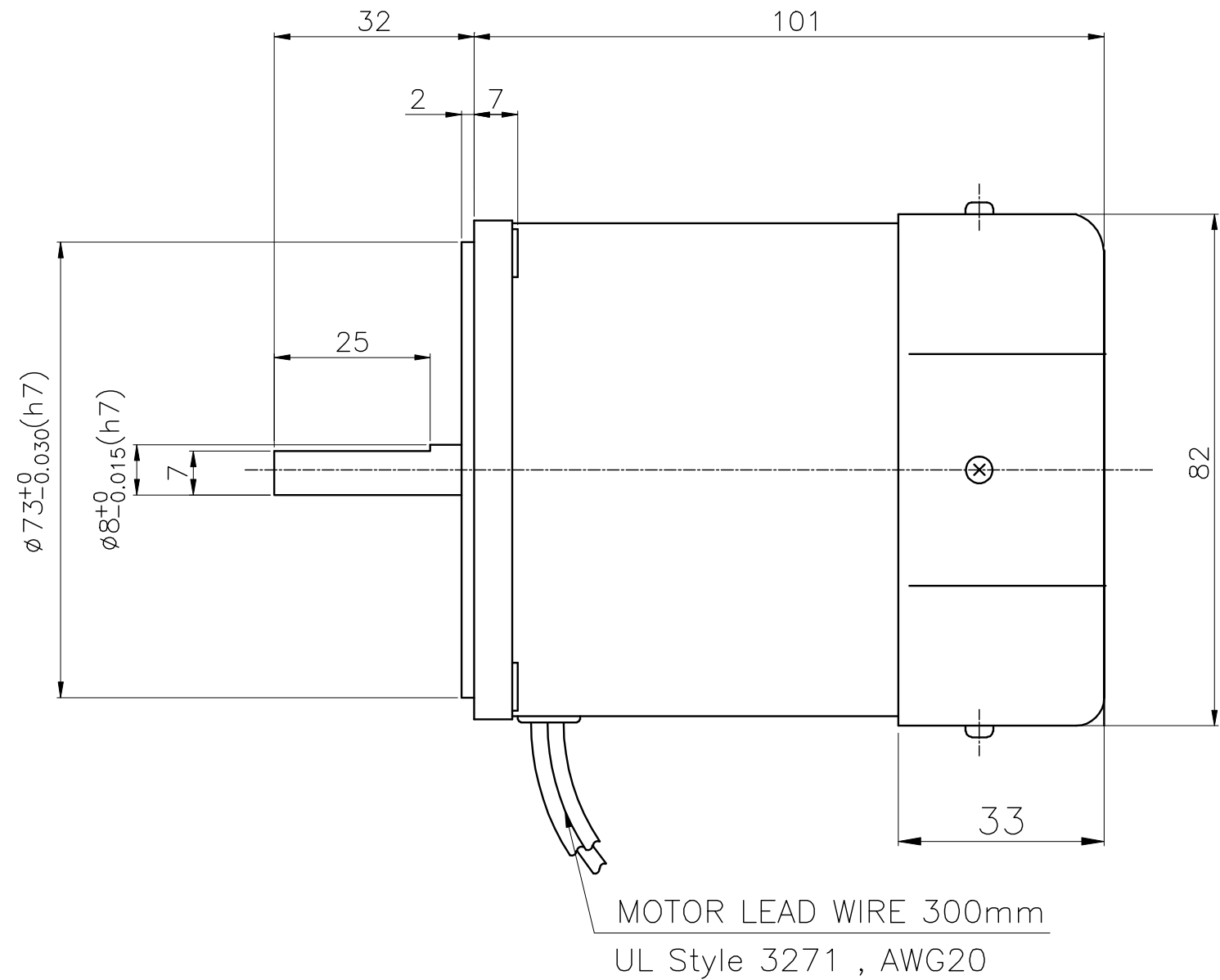
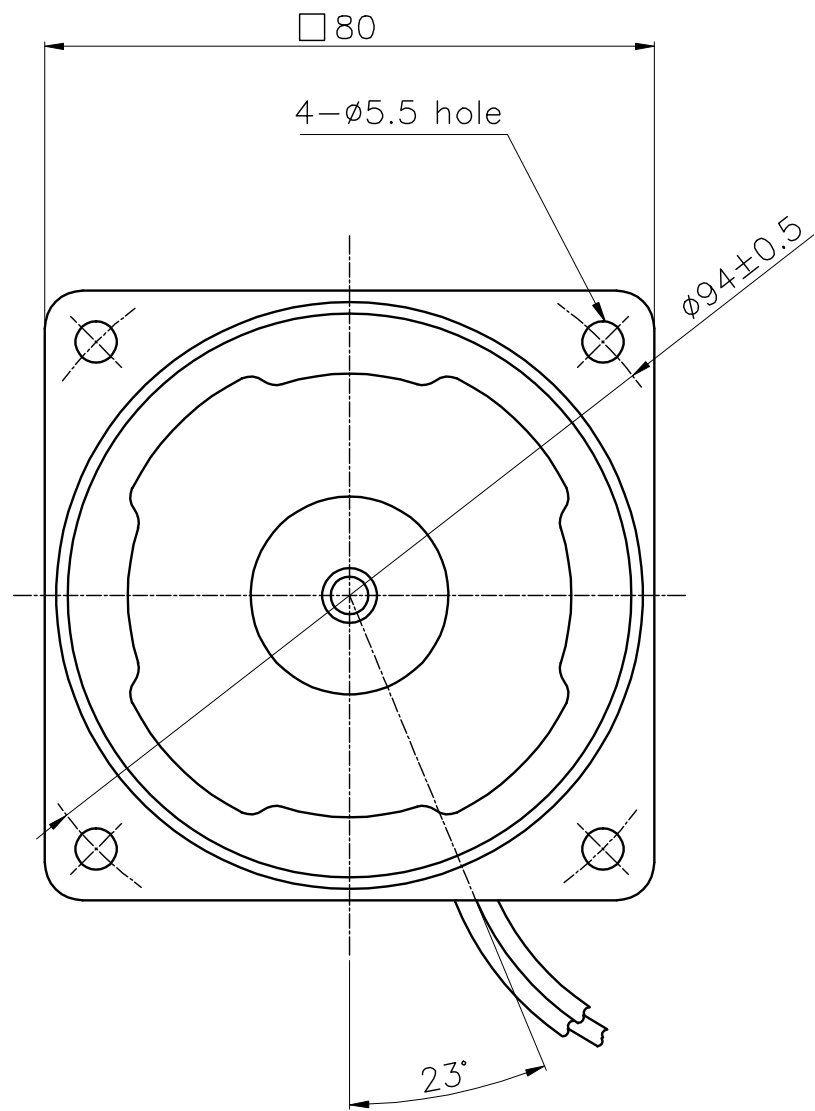
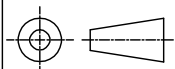



No.	REMARK	REVISION No.	SIGN



DRAW	09. 10. 13	H S. Hwang	SCALE : 1/1	PART NAME OUTLINE
DESIGNED	09. 10. 13	H S. Hwang	UNIT : mm	
CHECKED	09. 10. 13	J A. Choi		APPLICATION MODEL
APPROVED	09. 10. 13	B E. Choi		K8□S40F□
 GLOBAL GEARED MOTOR			RELATION DWG.	DWG NO.
				2-OL-00157